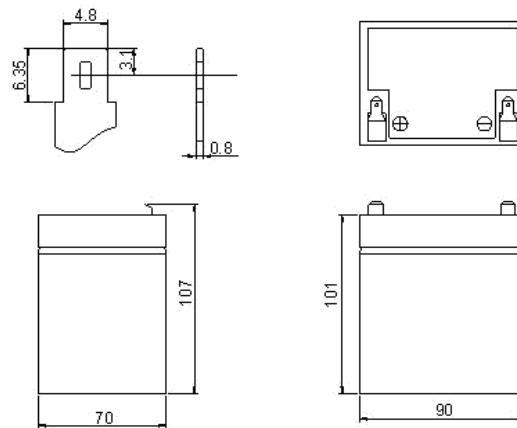


Zabat TP 12-4 akumulátor



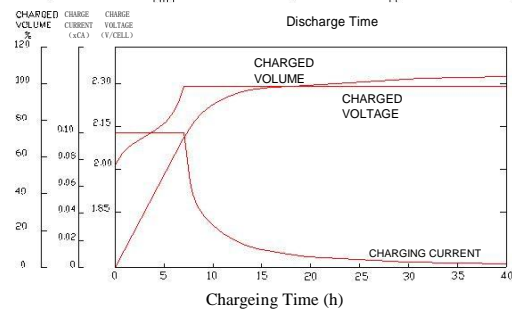
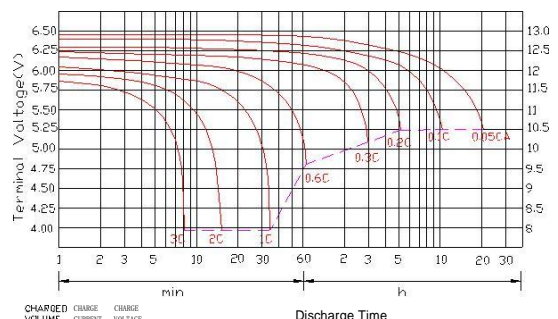
⌘ Specifications

| | | | |
|---------------------------|---------------------|-------------------------|----------------|
| Nominal Voltage | | 12V | |
| Rated Capacity | | 4Ah | |
| Dimensions | Total Height | 4.21 inches | (107mm) |
| | Height | 3.98 inches | (101mm) |
| | Length | 3.54 inches | (90mm) |
| | Width | 2.76 inches | (70mm) |
| Approximate Weight | | 3.3 lbs. (1.5kg) | |

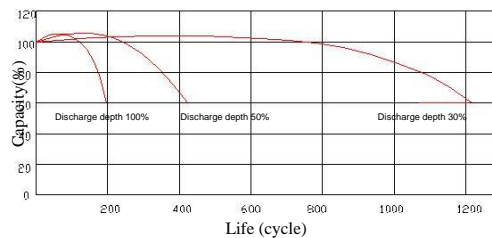
⌘ Characteristic

| | | |
|---|---|---|
| Capacity 77 ⁰ F(25 ⁰ C) | 20h rate (0.20A) | 4.0Ah |
| | 10h rate (0.37A) | 3.68Ah |
| | 5h rate (0.64A) | 3.40Ah |
| | 1h rate (2.72A) | 2.40Ah |
| | 15 min rate (7.36A) | 1.80Ah |
| Internal Resistance | Full Charged Battery 77 ⁰ F(25 ⁰ C) | 55mΩ |
| Capacity Affected by Temperature (20h rate) | 104⁰F(40⁰C) | 102% |
| | 77⁰F(25⁰C) | 100% |
| | 32⁰F(0⁰C) | 85% |
| | 5⁰F(-15⁰C) | 65% |
| Self-Discharge 68 ⁰ F(20 ⁰ C) (Capacity after) | 3 month storage | 90% |
| | 6 month storage | 80% |
| | 12 month storage | 60% |
| Max. Discharge Current 77 ⁰ F(25 ⁰ C) | 60A(5s) | |
| Terminal | T1 | |
| Charge (Constant Voltage, 25 ⁰ C) | Cycle | 14.5~14.9V(-24mV/⁰C) max. current: 1.2A |
| | Float | 13.6~13.8V(-18mV/⁰C) |

DISCHARGE CHARACTERISTICS AT 25° C(77° F)



Cycle service life



Constant Current Discharge Characteristics (A, 25°C)

| F.V/TIME | 5min | 10min | 15min | 30min | 60min | 3h | 5h | 10h | 20h |
|----------|------|-------|-------|-------|-------|------|------|------|------|
| 9.60V | 14.4 | 9.20 | 7.82 | 4.30 | 2.64 | 0.97 | 0.69 | 0.38 | 0.20 |
| 10.2V | 13.7 | 8.74 | 7.51 | 4.13 | 2.53 | 0.96 | 0.68 | 0.38 | 0.20 |
| 10.5V | 12.9 | 8.22 | 7.13 | 3.92 | 2.40 | 0.94 | 0.67 | 0.37 | 0.20 |

Constant Wattage Discharge Characteristics (Watt, 25°C)

| F.V/TIME | 5min | 10min | 15min | 30min | 60min | 3h | 5h | 10h | 20h |
|----------|------|-------|-------|-------|-------|------|------|------|------|
| 9.60V | 161 | 104 | 89.1 | 49.3 | 30.6 | 11.5 | 8.24 | 4.51 | 2.40 |
| 10.2V | 153 | 98.6 | 85.6 | 47.3 | 29.3 | 11.4 | 8.12 | 4.47 | 2.40 |
| 10.5V | 144 | 92.7 | 81.3 | 44.9 | 27.8 | 11.2 | 8.00 | 4.47 | 2.40 |